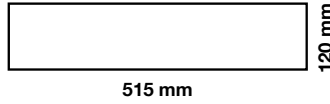
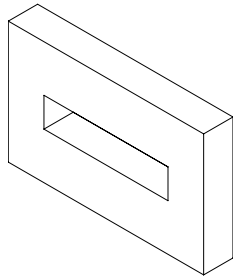
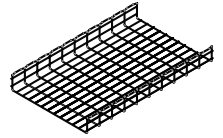
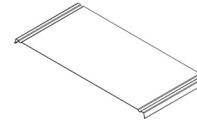




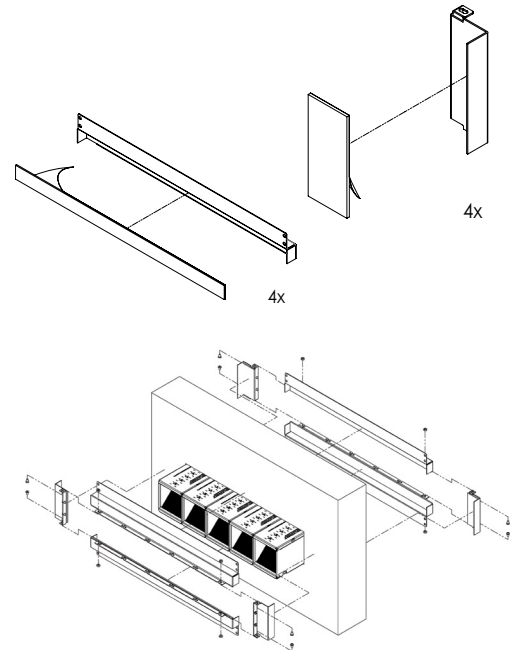
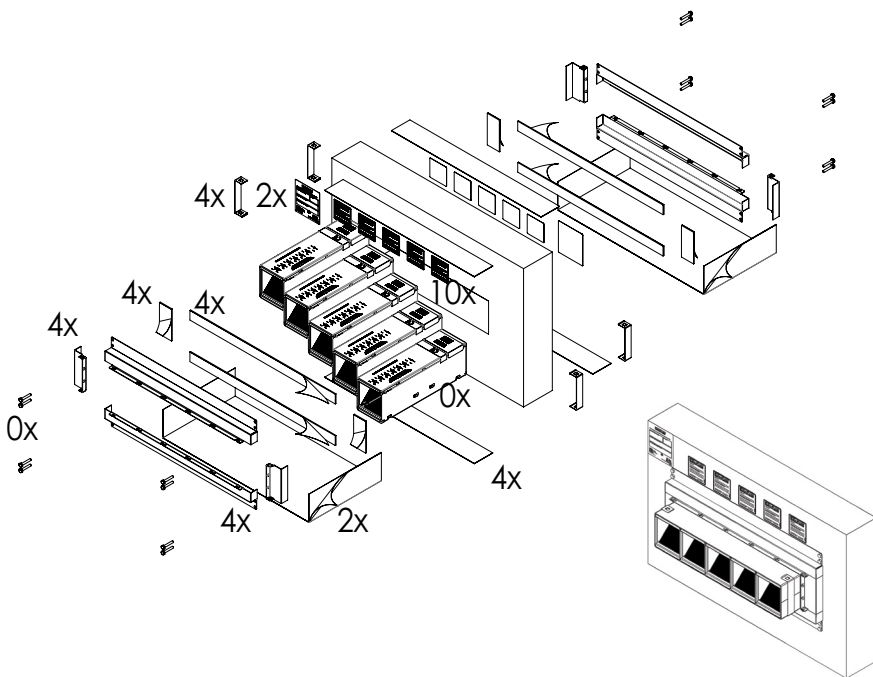
EZD44T
250 058



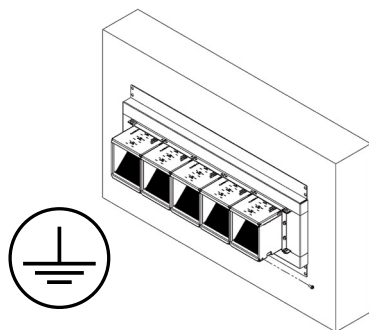
120 mm



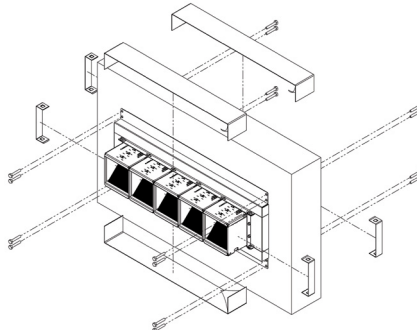
1.



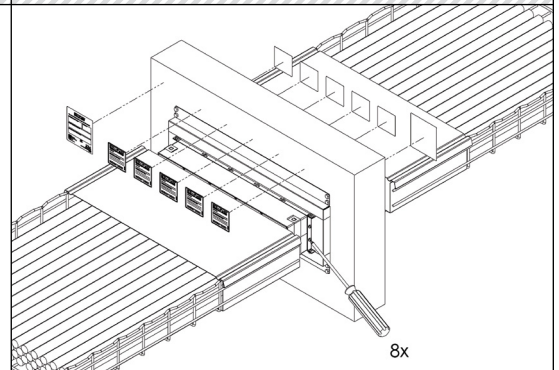
2.



3.



4.



NOTE: FOR WARRANTY INFORMATION PLEASE VISIT WWW.STIFIRESTOP.COM/WARRANTY

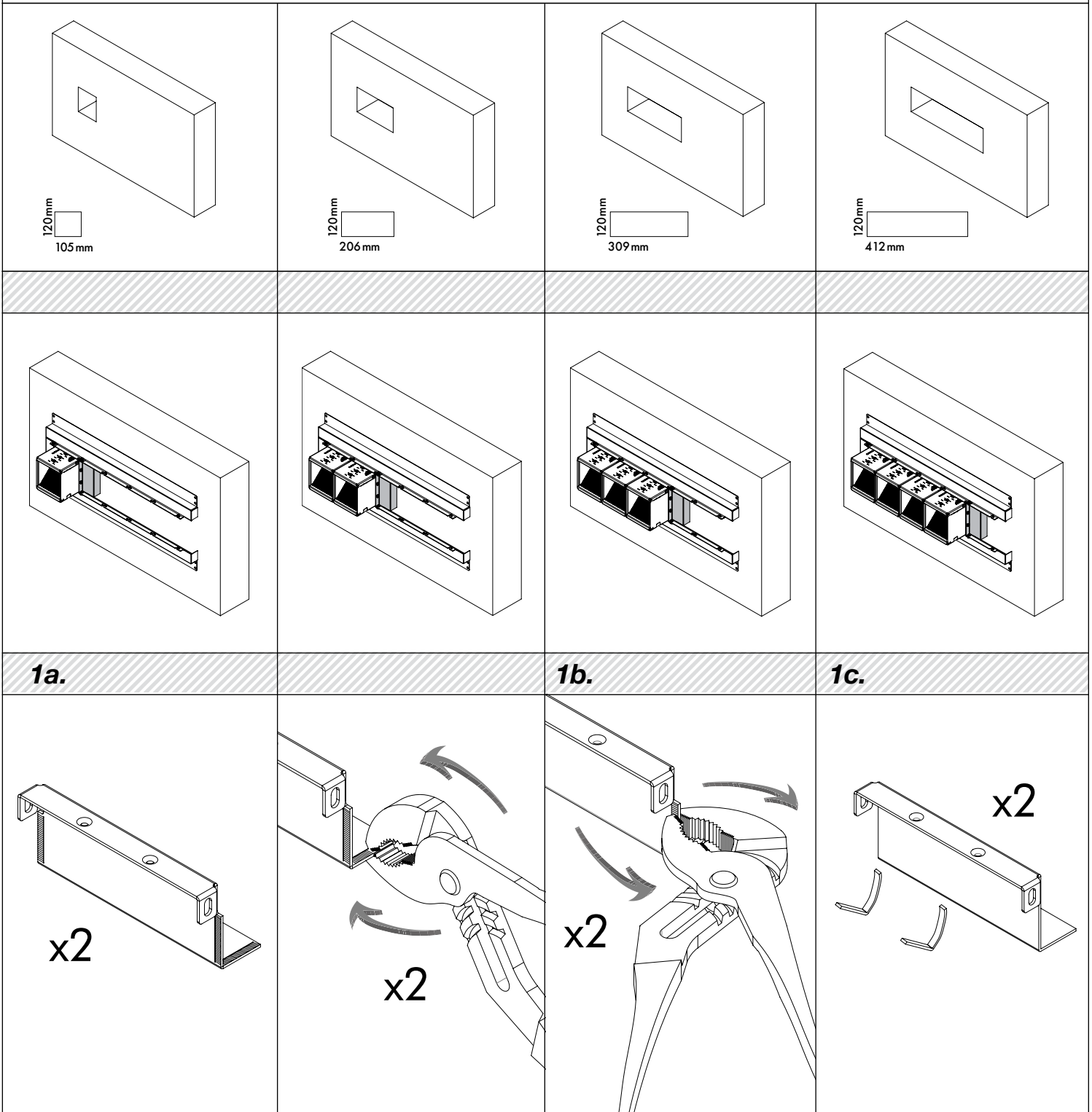


CABLOFIL[®]

A Group brand



www.ezpath-solution.com



NOTE: FOR WARRANTY INFORMATION PLEASE VISIT WWW.STIFIRESTOP.COM/WARRANTY



CABLOFIL[®]

A Group brand



www.ezpath-solution.com